



**TRUST IN YELLOW**

*Celebrating 10 years*

**TRUST IN YELLOW  
DISABLED VIEWING PLATFORM**

# shoreside architects



For Projects in Southport, Ainsdale, Formby, Ormskirk and Liverpool

Graham Coule RIBA

12 Shore Road, Ainsdale, Southport, Merseyside PR8 2PU

M 07498 298775

E [shoresidearchitect@btinternet.com](mailto:shoresidearchitect@btinternet.com)



Contractors are not to scale dimensions from this drawing

Site Plan 1:200

Location Plan 1:2500

SHORESIDE ARCHITECTS  
 Public Office 2017/18  
 Email: shoresidearch@btinternet.com  
 10 Storey Road, Southport, Merseyside, PR8 5LP  
 www.shoresidearchitects.com

shoreside  
architects

**Client**  
 Trust In Yellow

**Project**  
 Wheelchair Accessible Viewing Platform

**Description**  
 Southport Football Club  
 Site Plan and Location Plan

<b>Status</b>		
Draft		
<b>Scale</b>	<b>Drawn</b>	<b>Date</b>
1:200, 1:2500 GAC		Aug 16
<b>Job number</b>	<b>Drawing number</b>	<b>Revision</b>
16008	01-000	
Original size 100mm @ A3 Copyright Shoreside Architects Limited		



**BUS SHELTERS - CYCLE SHELTERS - YOUTH SHELTERS**

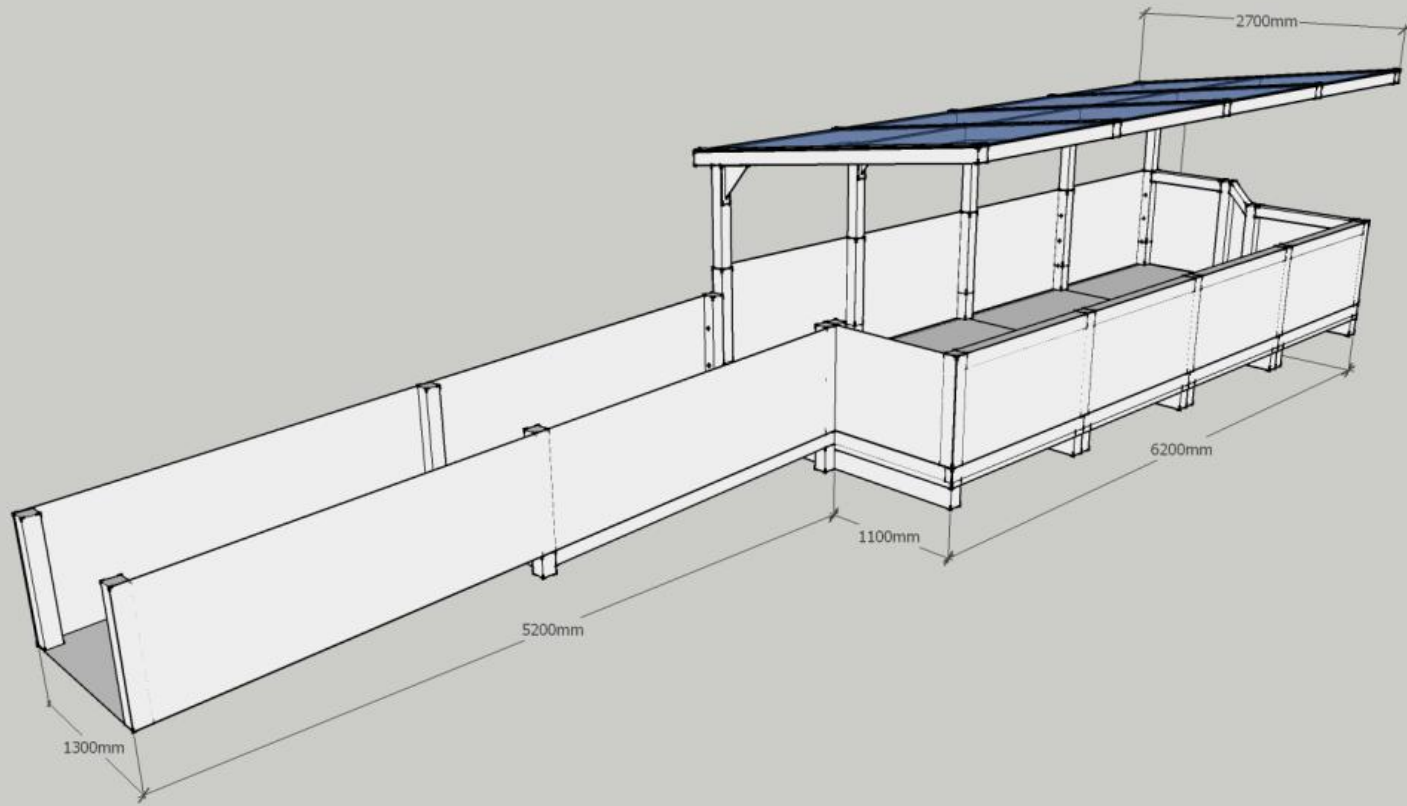
**SPORTS SHELTERS - OUTDOOR CANOPIES - SMOKING SHELTERS**

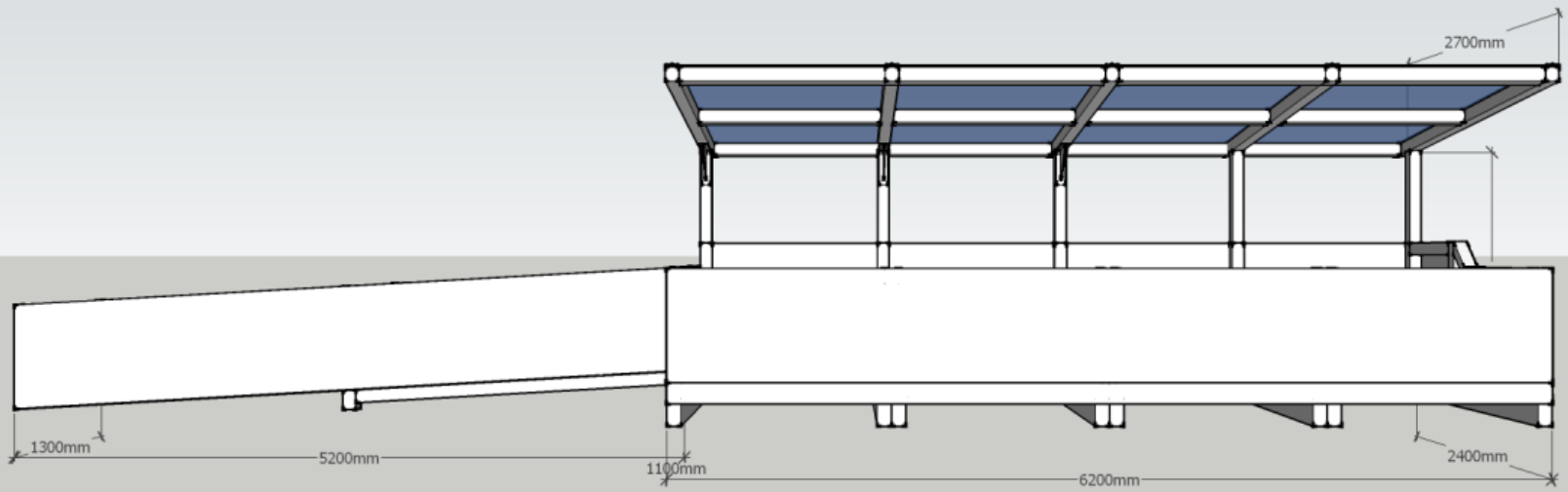
**MACHINERY COVERS - COVERED WALKWAYS - PRAM & BUGGY STORES**

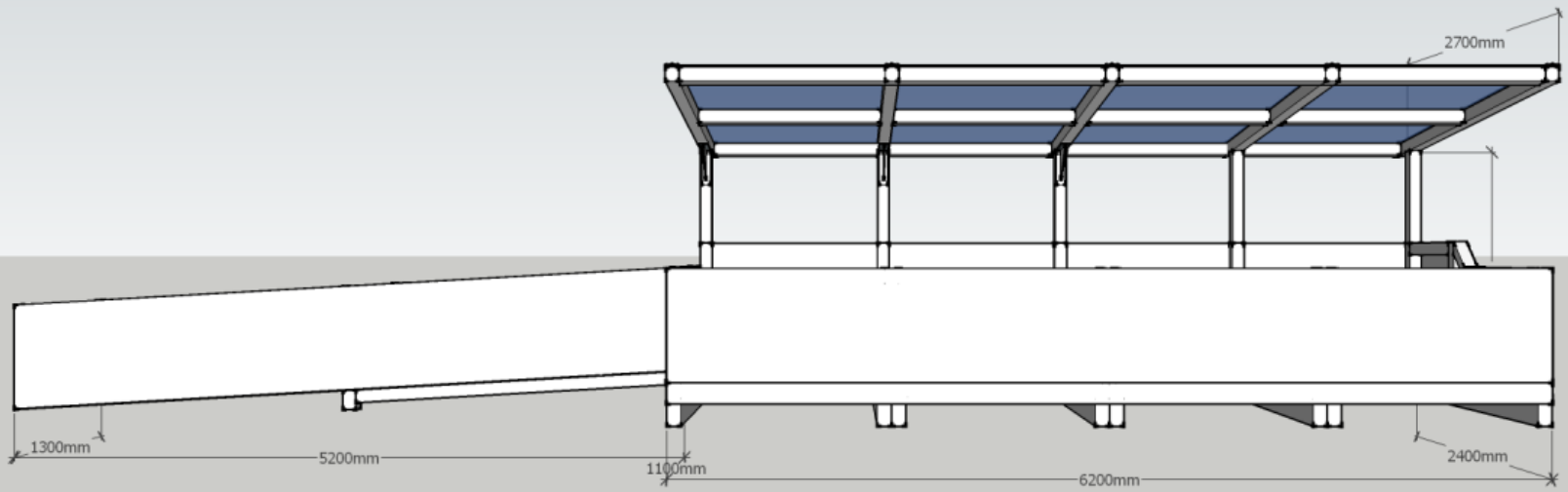
**REAL-TIME DISPLAY SHELTERS - TICKET MACHINE SHELTERS**

**PARENT WAITING SHELTERS - OUTDOOR PLAY & LEARNING AREAS**

**FROM CONCEPT TO COMPLETION**







### *Specification*

- 6200mm x 2400mm Stand area with an Mono Pitch Roof, ramp 5200mm x 1400mm with checker plate finish.
- The roof will be constructed from high grade extruded aluminium section and glazed in 10mm Twin Wall Polycarbonate.
- The main base frame of the structure will be constructed from high grade 150mm x 100mm and 150mm x 50mm extruded aluminium section with a polyester powder coated finish. A choice of colours is available (yellow??).
- The side panels of the structure will utilise aluminium cladding panels for ease of maintenance and safety purposes.
- The structure will be manufactured into four sections and fixed together to allow for ease of movement as requested, whilst still maintaining its stability in all weather conditions.



graham coule : architect  
mobile : 07498 298775  
email : shoresidearchitect@btinternet.com

address : 12 shore road, ainsdale, merseyside, pr8 2pu  
www.shoresidearchitects.com



Wheelchair Accessible Shelter - Southport FC  
Client : Trust in Yellow

Thank you for your enquiry, please find below the prices and specifications for the spectator stand as requested, as we manufacture all of our shelters ourselves specific sizes and more bespoke designs are available.

All of our shelters are constructed from high-grade aluminium extrusion BS EN 755 (1-9) that once powder coated BS EN ISO 9002 to your chosen RAL or BS colour will give a long lasting, low maintenance corrosion free finish.

All structures will be dug into concrete pockets below the surface and top finished in the present surface material whether it is a flagstone area, tarmac or block paving.

All structures are guaranteed for Ten years and will **NOT** rust like steel shelters.

We have been installing Walkways, Bus Shelters and Covered Areas to schools for many years all engineers have been CRB checked and passed both CSCS courses (health and safety) and Street works city and guilds.

Lead times from date of official purchase order are currently 3-4 weeks and time on site is dependent on ground conditions.

**Total Cost:** £9,990.00 + VAT

- Please note - Prices are subject to VAT.
- Please note - Prices Include Design, Manufacture and Installation.

**ARCHITECT FEES = £550 + VAT**

**APPROXIMATE TOTAL COST TO TRUST IN YELLOW**

**£13,000**

## FUNDING PLAN

**TOTAL COST = £13,000**

**FOOTBALL FOUNDATION FUNDING – SFC APPLICATION = £6,500**

**TRUST IN YELLOW CONTRIBUTION = £3,500**

**FUNDRAISING/SPONSORSHIP = £3,000**